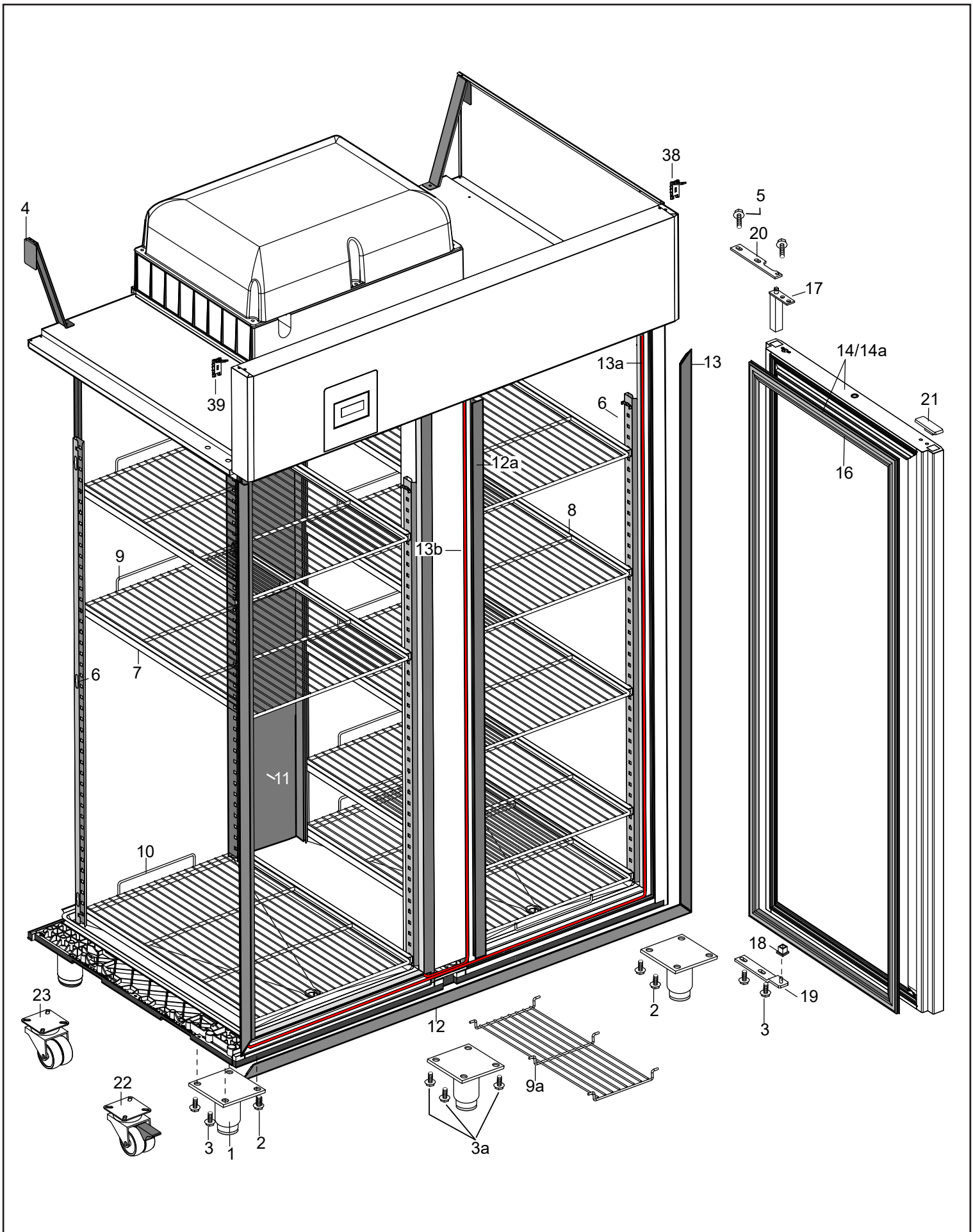




## INDEX - INDICE

## PAG.

CABINET FULL DOOR	3
CABINET GLASS DOOR	4
SPARE PARTS CODE CABINET FULL/GLASS DOOR	5-6
COOLING UNIT	7
SPARE PARTS CODE COOLING UNIT	8-9
CONTROL PANEL STANDARD CABINET	10
CONTROL PANEL PREMIUM CABINET	11-12
SPARE PARTS CODE CONTROL PANEL	13-14



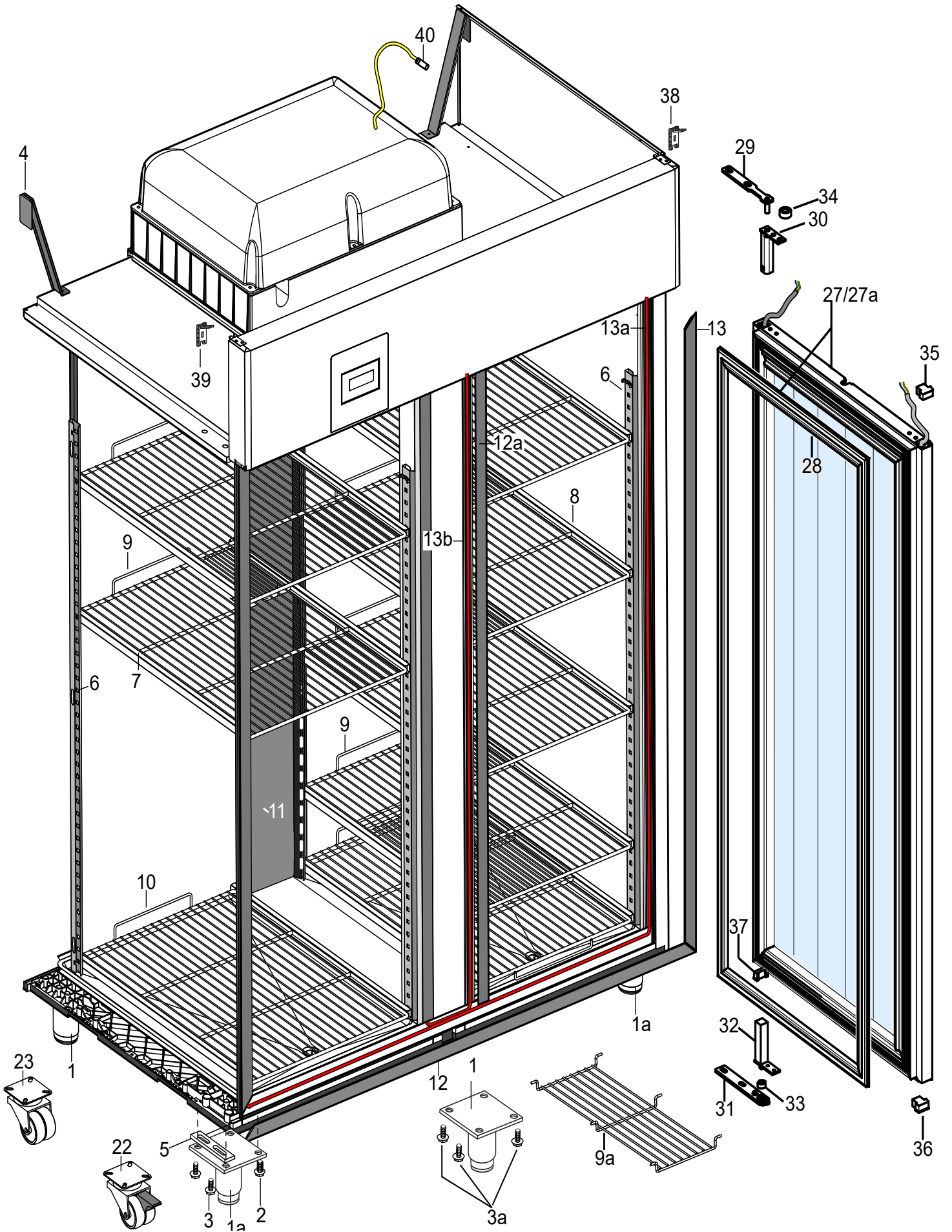
**CABINET FULL DOOR**

From Ser. Nr.  
Up to Ser. Nr.

Ed. 01 2022-06  
Ed. 03 2024-10

Page: 3 @

**Doc No:595R75000**



## CABINET GLASS DOOR

From Ser. Nr.  
Up to Ser. Nr.

Ed. 01 2022-06  
Ed. 03 2024-10

Page: 4 @

Doc No:595R75000

POS	FACTORY CODE	S.P. CODE	DESCRIPTION	V	W&T	REF.	NOTES	S/N BREAK (YYYY/WK)
1	0541R05001	093243	Foot H 115		x			
1a	0518R02600	093244	Foot glass door (2 front part) H116		x	e		
2	0217555204	093245	Screw 20 x7 to plast.(use by fix foot)		x			
3	0518708700	093246	Screw M8X25 ( use by fix lower bracket)		x			
3a	0217555404	093245	Screw 40 x 7 fo plasT. (fix central foot )		x			
4	0502R17500	093394	Side support (upper)		x			
5	0518708601	093246	Screw M8X20 ( use by fix upper bracket)		x			
6	0501R36201	093355	Front/back rack		x	a,b,e		
6	0501R38201	093249	Front/Back Rack right and left		x	c,d		
7	0501R48000	093358	Left grids support 304		x			
8	0501R48200	093359	Right grids support 304		x			
9	0514R10600	093252	Grid 2/1rilsan		x			
9a	0514R11801	093398	Middel grid support aisi 304		x	a,c		
10	0514R12200	093253	Bottom grid rilsan		x			
11	0501R61700	093497	Rack pillar in the back part of cavity 304		x	a,b,e		
11	0501R62100	093490	Rack pillar in the back part of cavity 304		x	c,d		
12	0832R09202	093545	Horizontal frame		x			
12a	0832R09402	093399	Vertical frame pillar		x			
13	0832R09101	093255	Vertical frame		x			
13a	0617R06801	093400	Heating cable frame 5 W/m		x	a,c		
13a	0617R07201	093429	Heating cable frame 2 W/m		x	b		
13b	0617R06901	093401	Heating cable frame 5 W/m pillar		x	a,c		
13b	0617R07001	093419	Heating cable frame 2 W/m pillar		x	b,d		
<b>14</b>	<b>0835R25119</b>	<b>093523</b>	<b>Door and gasket Freezer (left)</b>		<b>x</b>	<b>a</b>	<b>Mod-premium</b>	
<b>14</b>	<b>0835R27209</b>	<b>093478</b>	<b>Door and gasket Refrigerated (left)</b>		<b>x</b>	<b>b</b>	<b>Mod-premium</b>	
14	0835R24309	093309	Door and gasket Freezer (left)		x	c	Mod-standard	
14	0835R27008	093289	Door and gasket Refrigerated (left)		x	d	Mod-standard	
<b>14a</b>	<b>0835R26909</b>	<b>093503</b>	<b>Door and gasket Freezer (right)</b>		<b>x</b>	<b>a</b>	<b>Mod-premium</b>	
<b>14a</b>	<b>0835R27309</b>	<b>094259</b>	<b>Door and gasket Refrigerated (right)</b>		<b>x</b>	<b>b</b>	<b>Mod-premium</b>	
14a	0835R24309	093309	Door and gasket Freezer (right)		x	c	Mod-standard	
14a	0835R27008	093289	Door and gasket Refrigerated (right)		x	d	Mod-standard	
16	0548R08000	094152	Gasket door	x				
17	0835704001	082219	Hinge door	x				
18	0544700601	081654	Door bush		x			
19	0833R21600	093341	Lower stirrup door		x			
20	0505723803	082257	Upper stirrup door		x			
21	0541R05301	093271	Hole hinge plug		x			
22	0544701400	081797	1/2' / NUT for discharge cavity water		x	b,e		
23	0545733700	085535	1/2' Plug for discharge cavity water		x	b,e		
24	0546R26000	093714	1/2' Pipe for discharge cavity water		x	b,e		
27	0883R04301	0TTB1G	Glass door left glass door complete		x	e		
27a	0883R04501	097265	Glass door right glass door complete		x	e		
28	0548R08000	094152	Gasket glass door	x		e		
29	0505R21900	096180	Upper bracket hinge door		x	e		
30	0505R22000	096181	Upper hinge glass door		x	e		
31	0833R21901	093301	Lower bracket hinge glass door		x	e		

## SPARE PARTS CODE CABINET FULL/GLASS DOOR

\* On demand

**Bold=last change**

From Ser. Nr. Up to Ser. Nr.	Ed. 01 2022-06 Ed. 03 2024-10	Page: 5	<b>Doc No:595R75000</b>
---------------------------------	----------------------------------	---------	-------------------------

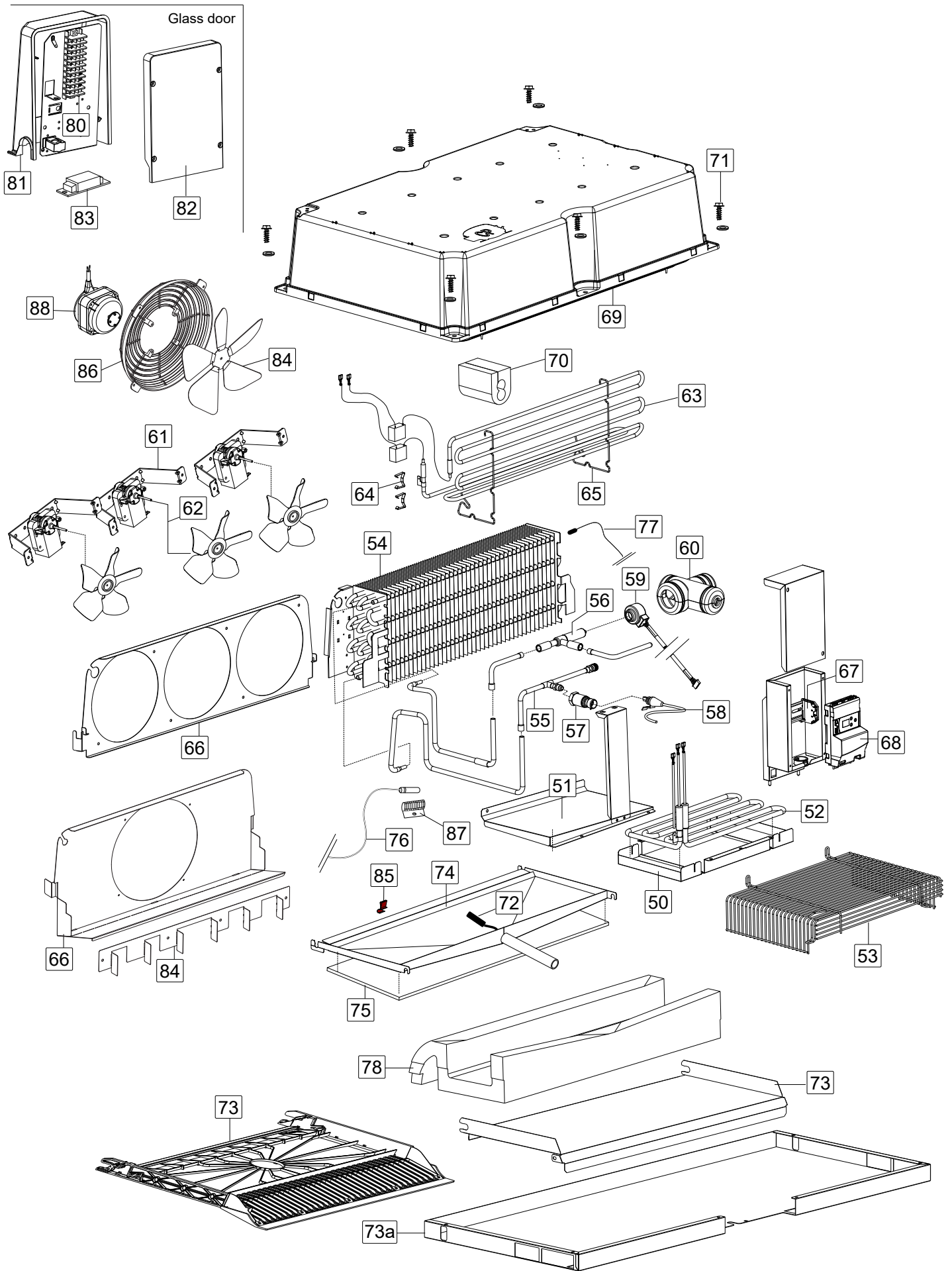
POS	FACTORY CODE	S.P. CODE	DESCRIPTION	V	W&T	REF.	NOTES	S/N BREAK (YYYY/WK)
32	0835704001	082219	Lower hinge glass door		x	e		
33	0546R23100	093517	Lower bush glass door		x	e		
34	0546R35300	096182	Upper bush glass door		x	e		
35	0546R22200	093538	Upper plug left/right gless door		x	e		
36	0546R22300	093536	Lower plug left/right gless door		x	e		
37	0546R22400	093535	Spring seat cap right/upper left /lower		x	e		
37	0546R22500	093537	Spring seat cup right/lower or left /upper		x	e		
38	0832R10100	093609	Ass. upper hinge control panel ( right)		x			
39	0832R10200	093610	Ass. upper hinge control panel ( left)		x			
40	0646R10900	093371	Ambient probe (yellow)	x		e		

**SPARE PARTS CODE CABINET FULL/GLASS DOOR**

\* On demand

**Bold=last change**

From Ser. Nr. Up to Ser. Nr.	Ed. 01 2022-06 Ed. 03 2024-10	Page: 6	<b>Doc No:595R75000</b>
---------------------------------	----------------------------------	---------	-------------------------



## COOLING UNIT

From Ser. Nr.  
Up to Ser. Nr.

Ed. 01 2022-06  
Ed. 03 2024-10

Page: 7 @

Doc No:595R75000

POS	FACTORY CODE	S.P. CODE	DESCRIPTION	V	W&T	REF.	NOTES	S/N BREAK (YYYY/WK)
50	0501R63601	093606	Remote evaporator water tray		x			
51	0501R63701	093607	Remote pipe valve dript ray		x			
52	0617R26100	097289	Remote heating element for water tray	x				
53	0514R13101	093604	Protection grid for heating element		x			
54	0830R02C00		Evaporator Co2 4R 8T	x		a,c,e		
54	0830R02D00		Evaporator Co2 3R 8T	x		b,d		
55	0515R48400		Out pipe evap. with conn. pressure probe	x				
56	0646R06C01	097030	Electronic expansion valve CO2	x				
57	0646R06K01	097031	Pressure sensor 90 bar	x				
58	0634R01S01	097027	Wiring cable for pressure sensor	x				
59	0805R00L01	097034	Unipolar stator	x				
60	0565717600	089614	Insulation valve Co2		x			
61	0502R52400	093326	Bracket for motor evap. fan		x	a,c		
62	0682R02C00	097000	Motor fan evaporator	x		a,c		
63	0856R19300		Heating element for evap. + term.(defrost)	x		a		
63	0856R19401		Heating element for evap. + term.(defrost)	x		c		
63	0856R19001		Heating element for evap.+term. (defrost)	x		b		
63	0856R18801		Heating element for evap.+term. (defrost)	x		d		
64	0514R11601	093487	Spring retaining safety thermostat		x			
65	0514R18600	094572	Spring retaining evap. heating element		x	a		
65	0514R11000	093572	Spring retaining evap. heating element		x	b,c		
65	0514R11102	093508	Spring retaining evap. heating element		x	d		
66	0501R44903	093314	Evaporator conveyor three motor fan		x	a,c		
66	0502R57901	094428	Evaporator conveyor one motor fan		x	b,e		
66	0501R44103	094429	Evaporator conveyor one motor fan		x	d		
67	0639726500	094825	Terminal clamp GND		x			
68	0648R02A01	097033	Driver evd 115/230 for Co2 valve	x				
69	0835R47601	095201	Evaporator cover	x				
70	0546R25800	093614	Insulation out pipe evaporator cover	x				
71	0217555204	093245	Evaporator cover screws		x			
72	0617R07801	093415	Heating elem. for disch. water condenser	x		a,c		
73a	0501R71700		Internal air extentions		x	a,c		
73	0501R71600		Ass. carter with stainless steel protections		x	a,c		
73	0546R46000	*	Plastich protection internal cavity		x	b,d,e		
74	0833R21201	093278	Water tray stainless steel material		x	a,c		
74	0833R20801	093432	Water tray stailless steel		x	b,e		
74	0546R19201	093469	Water tray in plastic material		x	d		
75	0548R07200	093409	Insulation water tray		x			
76	0646R06700	092173	Cavity probe (blue) ntc sensor	x				
77	0646R06L01	097032	NTC temperture sensor for driver Co2	x				
78	0559R01900	093489	Insulation for internal cavity		x	a,c		
80	0856R17400		Clamp with complete wiring cable			e		
81	0546R26701	093976	Electric box		x	e		
82	0546R26501	094425	Cover electric box glass door		x	e		
83	0648R11700	097052	Power supply led light		x	e		
84	0501R40700	093509	Air deviator		x	b,d,e		

## SPARE PARTS CODE COOLING UNIT

\* On demand

**Bold=last change**

From Ser. Nr. Up to Ser. Nr.	Ed. 01 2022-06 Ed. 03 2024-10	Page: 8	<b>Doc No:595R75000</b>
---------------------------------	----------------------------------	---------	-------------------------

POS	FACTORY CODE	S.P. CODE	DESCRIPTION	V	W&T	REF.	NOTES	S/N BREAK (YYYY/WK)
84	0511R01000	093365	Fan	x		b,e		
84	0511708800	089697	Fan	x		d		
85	0514R12900	093547	Spring retaining hot cable		x	a,c		
86	0546709500	089755	Protection fan		x	b,d,e		
87	0546R07500	091601	Protection cavity probe	x		b,d		
88	0682R14200	096995	Evaporator motor fan	x		b,d,e		

## SPARE PARTS CODE COOLING UNIT

\* On demand

**Bold=last change**

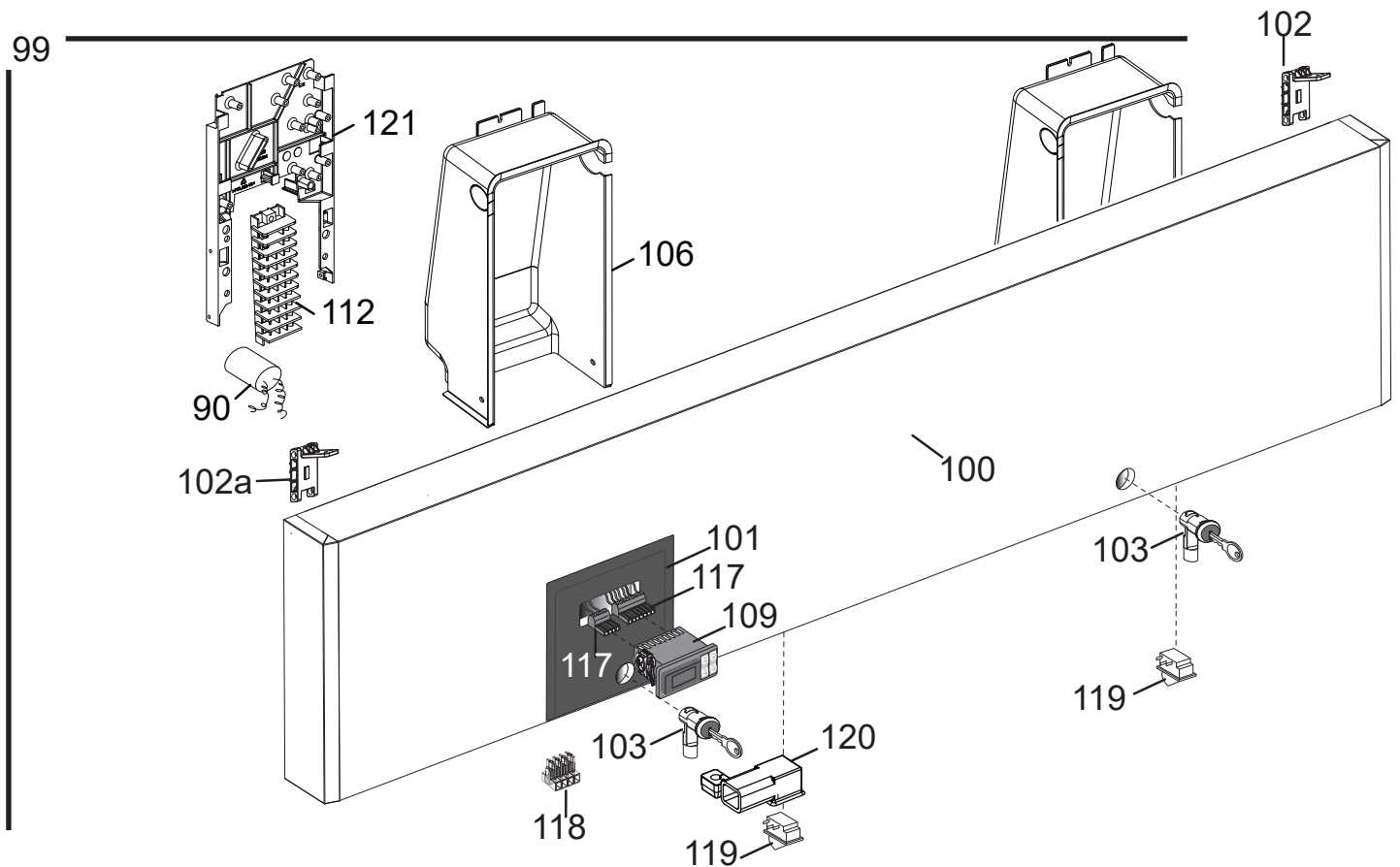
From Ser. Nr.  
Up to Ser. Nr.

Ed. 01 2022-06  
Ed. 03 2024-10

Page: 9

**Doc No:595R75000**

# STANDARD CONTROL PANEL



## CONTROL PANEL PREMIUM CABINET

From Ser. Nr.  
Up to Ser. Nr.

Ed. 01 2022-06  
Ed. 03 2024-10

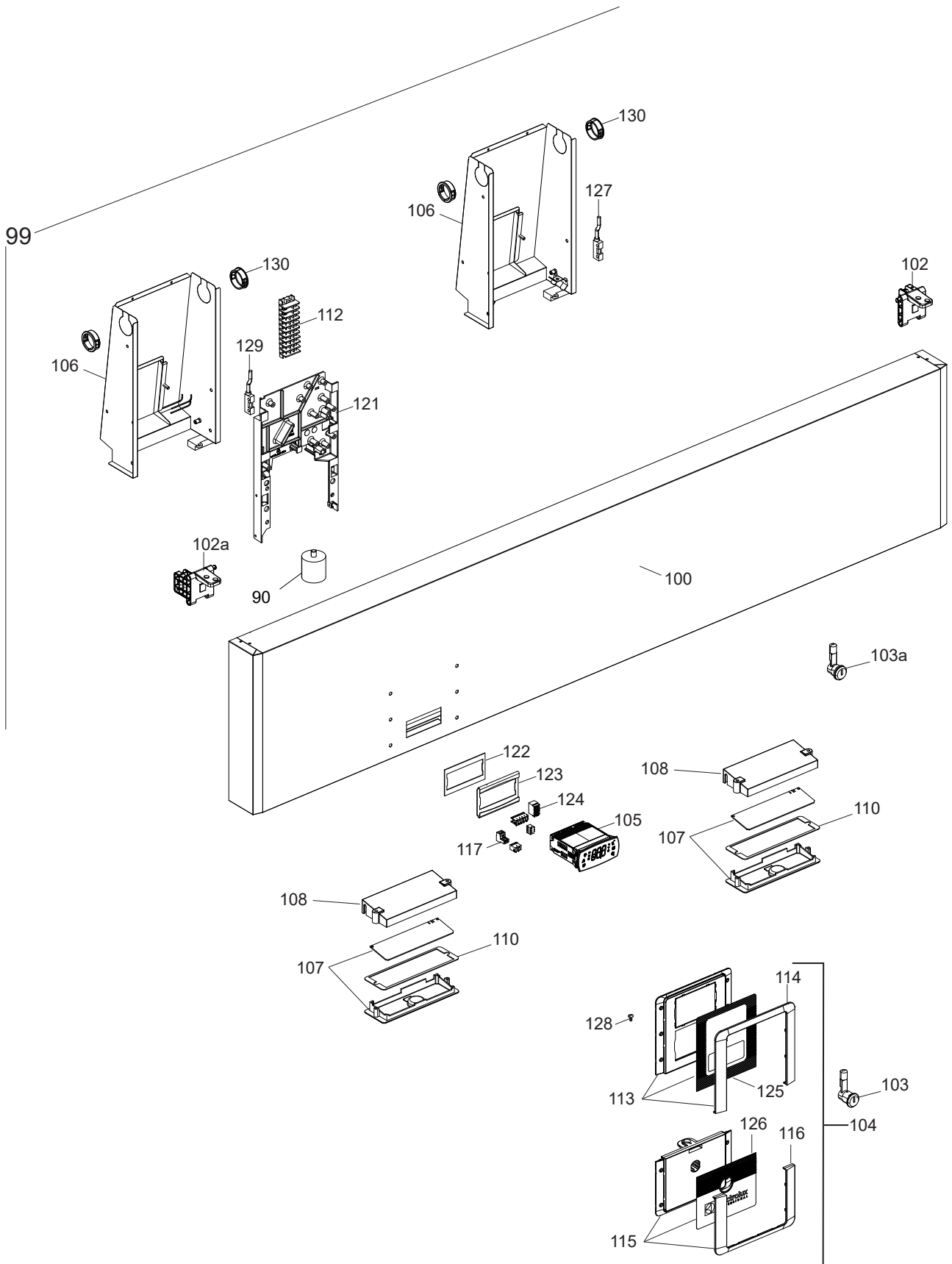
Page: 10 @

Doc No:595R75000



# PREMIUM CONTROL PANEL

## from 2024/18



POS	FACTORY CODE	S.P. CODE	DESCRIPTION	V	W&T	REF.	NOTES	S/N BREAK (YYYY/WK)
90	0694R00502	096636	Electrical filter		x			
99	0883R34501		Panel complete without template		x	a,b	See TB VTX2024-03	Up to 2024/17
<b>99</b>	<b>0883R96400</b>		<b>Panel complete without template</b>		<b>x</b>	<b>a,b</b>		<b>From 2024/18 Up to 2024/43</b>
<b>99</b>	<b>890R03100</b>		<b>Panel complete without template</b>		<b>x</b>	<b>a,b</b>		<b>From 2024/44</b>
99	0883R79003		Panel complete without template		x	c,d		
99	0883R04603		Panel complete without template PV		x	e		
<b>100</b>	<b>0509R25201</b>	<b>097278</b>	<b>Panel standard without electrical support</b>		<b>x</b>	<b>c,d</b>		
<b>100</b>	<b>0509R25101</b>	<b>097277</b>	<b>Panel premium without electrical support</b>		<b>x</b>	<b>a,b,e</b>		
101	0598R98302	096577	Template standard cabinet		x	c,d		
102	0832R10100	093609	Right Hinge for panel		x			
102a	0832R10200	093610	Left Hinge for panel		x			
103	0833R20900	093345	Latch		x			
104	0855R11102	093383	Complete template door and panel freez.		x	a,e	See TB VTX2024-03	Up to 2024/17
104	0855R10802	093380	Complete template door and panel refrig.		x	b	See TB VTX2024-03	Up to 2024/17
104	0855R18700		Complete template door and panel.		x	a,b,e		<b>From 2024/18</b>
105	0646R10602	093437	Thermoregulator premium	x		a,b,e	Order KIT 09A1RF See TB VTX2024-03	Up to 2024/17
<b>105</b>	<b>0855R0BH00</b>	<b>09A1NN</b>	<b>Thermoregulator premium</b>	<b>x</b>		<b>a,b,e</b>		<b>From 2024/18</b>
106	0504R35000	097245	Protection		x	a,b,e	See TB VTX2024-03	Up to 2024/17
<b>106</b>	<b>0800R00M00</b>	<b>09A1LI</b>	<b>Protection</b>		<b>x</b>	<b>a,b,e</b>		<b>From 2024/18</b>
106	0546R26601	093975	Protection		x	c,d		Up to 2022/41
106	0504R39300	097576	Protection		x	c,d		From 2022/42
107	0855R12801	093809	Led-lamp board + support	x		a,b,e	See TB VTX2024-03	Up to 2024/17
<b>107</b>	<b>0855R0A000</b>	<b>09A1LJ</b>	<b>Led-lamp board + support</b>	<b>x</b>		<b>a,b,e</b>		<b>From 2024/18</b>
108	0546R19600	093387	Protection led-lamp		x	a,b,e		
109	0646R10803	093532	Termoregulator (standard)	x		c,d	Order KIT 097586 See TB VTX2022_08	Up to 2022/41
109	0855R18400	097579	Termoregulator (standard)	x		c,d		From 2022/42 Up to 2024/19
109	855R0BY00	09A1NM	Termoregulator (standard)	x		c,d		From 2024/20
110	0569R05900	093390	Led-lamp board gasket		x	a,b,e		
<b>112</b>	<b>0639R09900</b>	<b>093528</b>	<b>Clamp with complete wiring cable</b>		<b>x</b>	<b>a,b</b>		
112	0856R16902	*	Clamp with complete wiring cable		x	c,d		Up to 2022/41
<b>112</b>	<b>0639R09900</b>	<b>093528</b>	<b>Clamp with complete wiring cable</b>		<b>x</b>	<b>c,d</b>		<b>From 2022/42</b>
112	0856R17400		Clamp with complete wiring cable		x	e		Up to 2022/41
<b>112</b>	<b>0639R09900</b>	<b>093528</b>	<b>Clamp with complete wiring cable</b>		<b>x</b>	<b>e</b>		<b>From 2022/42</b>
113	0855R09901	*	Assembled template panel EPR		x	b	See TB VTX2024-03	Up to 2024/17
113	0855R10201	*	Assembled template panel EPR		x	a,e	See TB VTX2024-03	Up to 2024/17
<b>113</b>	<b>0855R19500</b>		<b>Assembled template panel EPR</b>		<b>x</b>	<b>a,b,e</b>		<b>From 2024/18</b>
114	0546R20000	*	Template frame panel		x	a,b,e		
115	0855R10502	*	Assembled template Door EPR		x	a,b,e	See TB VTX2024-03	Up to 2024/17
<b>115</b>	<b>0855R19400</b>		<b>Assembled template Door EPR</b>		<b>x</b>	<b>a,b,e</b>		<b>From 2024/18</b>
116	0546R20200	*	Template frame door EPR		x	a,b,e		
*	0217541085	093491	Screws M3X8 for control door/panel		x	a,b,e		
117	0639R06800	*	Connector 3 ways right		x			

## SPARE PARTS CODE CONTROL PANEL

\* On demand

**Bold=last change**

From Ser. Nr. Up to Ser. Nr.	Ed. 01 2022-06 Ed. 03 2024-10	Page: 13	<b>Doc No:595R75000</b>
---------------------------------	----------------------------------	----------	-------------------------

POS	FACTORY CODE	S.P. CODE	DESCRIPTION	V	W&T	REF.	NOTES	S/N BREAK (YYYY/WK)
117	0639R06900	*	Connector 7 ways right		x			
117	*	099740	Connector 7 ways 90°		x			
117	*	099741	Connector 5 ways 90°		x			
117	*	088998	Connector 3 ways 90°		x			
117	*	099743	Connector 3 ways 90° small		x			
117	*	099742	Connector 2 ways 90°		x			
117	*	091682	Connector 4 ways 90°		x			
117	*	091684	Connector 5 ways 90°		x			
117	0639R04V00	097578	Connector 3 ways female	x		c,d		From 2022/42
118	0639R09200	092708	Clamp for standard connection		x	c,d		
119	0640R02100	094035	Door micro switch	x		c,d		
120	546R12100	092353	Door switch protection	x		c,d		
121	0546R43401		Electrical support control panel		x	a,b,c,d		
122	<b>569R01A00</b>	<b>09A1LF</b>	<b>Gasket support plate thermoregulator iJF</b>			<b>a,b</b>		<b>From 2024/18</b>
123	<b>506R01A00</b>	<b>09A1LC</b>	<b>Support plate thermoregulator iJF</b>			<b>a,b</b>		<b>From 2024/18</b>
124	<b>639R04V00</b>	<b>097578</b>	<b>Small connector 3 ways</b>			<b>a,b</b>		<b>From 2024/18</b>
125	<b>755R18000</b>		<b>Control panel membrane ZAN</b>			<b>a,b</b>		<b>From 2024/18</b>
125	<b>755R17400</b>		<b>Control panel membrane EPR</b>			<b>a,b</b>		<b>From 2024/18</b>
125	<b>755R17700</b>		<b>Control panel membrane APX</b>			<b>a,b</b>		<b>From 2024/18</b>
126	<b>755R17900</b>		<b>Door membrane ZAN</b>			<b>a,b</b>		<b>From 2024/18</b>
126	<b>755R17300</b>		<b>Door membrane EPR</b>			<b>a,b</b>		<b>From 2024/18</b>
126	<b>755R17600</b>		<b>Door membrane APX</b>			<b>a,b</b>		<b>From 2024/18</b>
127	<b>640R00G00</b>		<b>Right door switch</b>			<b>a,b</b>		
128	<b>217541085</b>	<b>093491</b>	<b>Screws M3X8 for control door/panel</b>			<b>a,b</b>		
129	<b>640R00400</b>	<b>097073</b>	<b>Door microswitch</b>			<b>a,b</b>		<b>From 2024/18</b>
130	<b>639739000</b>	<b>09A1LH</b>	<b>Plastic bushing (Ø32)</b>			<b>a,b</b>		<b>From 2024/18</b>

\* On demand

**Bold=last change**

From Ser. Nr. Up to Ser. Nr.	Ed. 01 2022-06 Ed. 03 2024-10	Page: 14	<b>Doc No:595R75000</b>
---------------------------------	----------------------------------	----------	-------------------------

Electrolux Professional SpA  
Viale Treviso, 15  
33170 Pordenone, ITALY  
Fax (+39) 0434 380 201  
<https://www.electroluxprofessional.com>  
<https://webgate.electroluxprofessional.com>